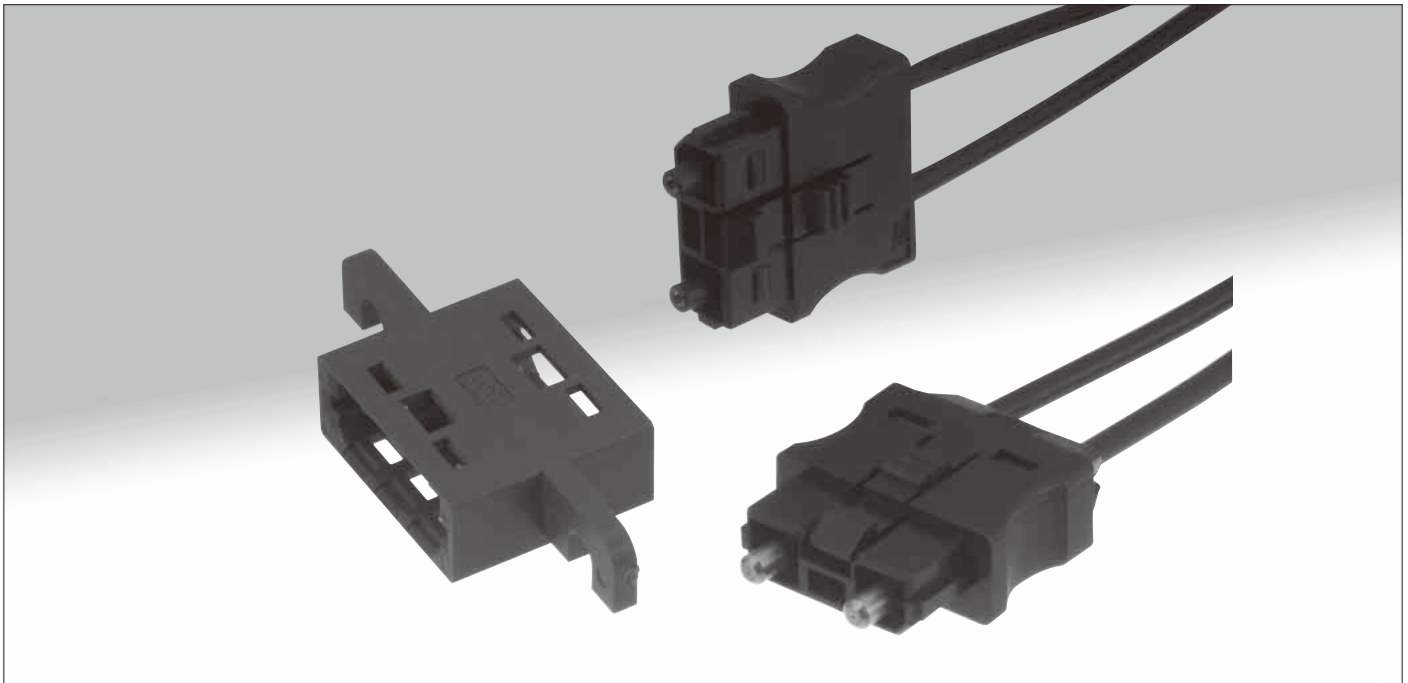


Duplex Optic Connectors for Plastic Fiber

H07 Series



■ Features

1. Conformed to IEC 61754-16(JIS C 5976 F07 Type)

2. Two types of plugs, suited to different optical fiber.

① **Type AP** ~for use with APF (All Plastic Fiber) or POF (Plastic Optical Fiber) ~

These plugs have a monoblock design which includes the ferrules.

The connectors are suited to transfer systems that are tens of meters in length.

② **Type CP** ~for Use with PCF (Plastic-Clad Silica Fiber) ~

These connectors are of the floating ferrule type and are suited to transfer systems that are hundreds of meters in length.

The ferrules with this connectors are metal parts and are economical compared to ones that use ceramics.

■ Applications

Between equipment such as audio/video, factory automation, and office equipment, and short data links such as transfer systems within equipment.

Product Standards

Rating	Operating temperature range	-25°C to 85°C	Storage temperature range	-40°C to 85°C
Item	Test Method (JIS C 5961)		Standard	
Mechanical Characteristics	Engagement Force	Measured with corresponding connector. Engagement speed : 50 mm/s		Engagement Force : 39.2 N max.
	Durability (cycles, mating/unmating)	500 times		No damage, cracks, or part looseness
	Vibration	Frequency : 10 Hz to 55 Hz, single amplitude of 0.75 mm, 24 cycles in each of the 3 axis.		
	Shock	Acceleration:981 m/s ² , duration time:6 ms, half sine shock pulse, 3 times in each of the 3 axis. (for a total 18 times)		
Environmental Characteristics	Humidity (Composite humidity cycle)	Humidity : 90 % to 96 % Temperature : -10°C to 65°C Time : 240 hours (10 cycle)		No corrosion
	Temperature cycling	-40°C to 100°C, 100 cycles		
	Dry heat	240 hours at 85°C		
	Cold	240 hours at -40°C		
	Salt mist	48 hours in a 5% concentration of a salt mist		

Materials

Part name	Material	Part name	Material
Plug housing	PBT	Spring	Stainless steel
Adapter housing	PBT	Split sleeve	Phosphor bronze
Ferrule	Brass (Nickel plating)	Sleeve holder	Stainless steel

Structure of the Product Number

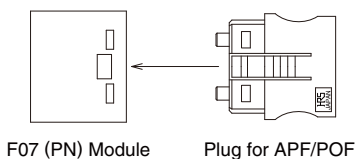
H07 - **CP** - **P1**

① ② ③

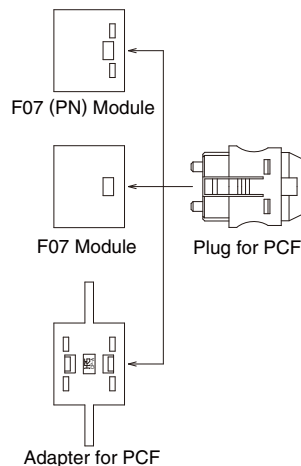
① Series Name
② CP:For Plastic clad silica fiber(PCF) AP:For All plastic fiber(APF)
③ P1:Plug, A3: Adapter

Function Diagram

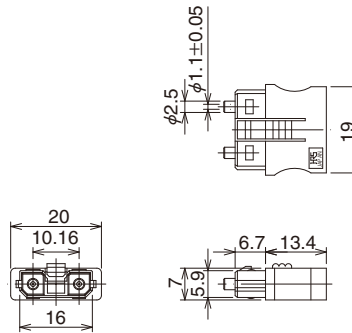
(1) Connectors for APF / POF



(2) Connectors for PCF

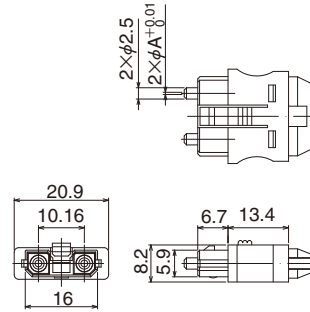
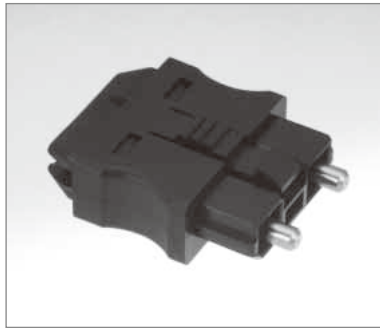


Plugs for APF/POF



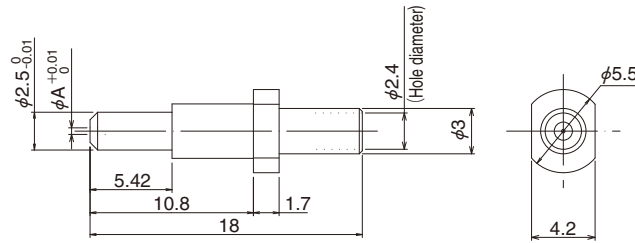
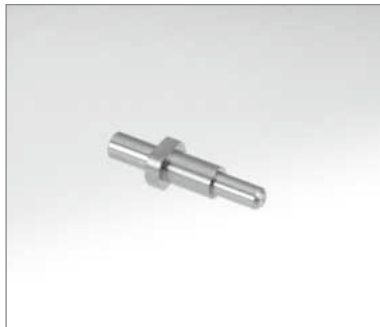
HRS No.	Product Number	Suitable Cable Diameter	Suitable Fiber Diameter (Clad Dia.)	Notes
CL822-0001-6-40	H07-AP-P1(40)	φ2.2mm	φ1mm	With ferrule

Plugs for PCF



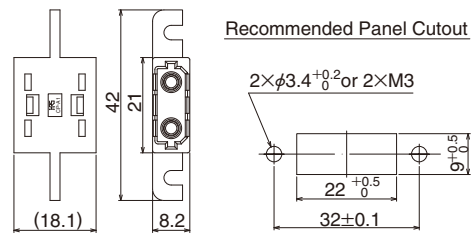
HRS No.	Product Number	Ferrule hole, φA Dimension	Suitable Cable Diameter	Suitable Fiber Diameter (Clad Dia.)	Notes
CL822-0014-8-60	H07-CP-P1(F0235)(60)	0.235	φ2.2mm	φ0.23	With ferrule
CL822-0015-0-60	H07-CP-P1(F0230)(60)	0.230	φ2.2mm	φ0.23	With ferrule
CL822-0019-0-60	H07-CP-P1(F0300)(60)	0.305	φ2.2mm	φ0.30	With ferrule

Ferrules for PCF



HRS No.	Product Number	Ferrule hole, φA Dimension	Suitable Cable Diameter	Suitable Fiber Diameter (Clad Dia.)	Notes
CL822-0004-4-40	H07-CP-F0235(40)	0.235	φ2.2mm	φ0.23	for PCF
CL822-0006-0-40	H07-CP-F0230(40)	0.230	φ2.2mm	φ0.23	
CL822-0018-9-40	H07-CP-F0300(40)	0.305	φ2.2mm	φ0.30	

Adapters for PCF



HRS No.	Product Number	Suitable Plug	Notes
CL822-0028-2-00	H07-CP-A3	H07-CP-P1***	for PCF

Cable Assemblies

● APF/POF type

HRS No.	Product Number	Suitable Fiber Diameter	Ferrule End Processing	Notes
CL822-2001-7-**	H07-P22-F2V2-L	All plastic fiber (980/1000)	Hot Plate	Both ends

The "L" within the Product Number indicates the length of the cable. Please contact us for information about cable length. Please specify values of "L" in meter units.

Please contact HIROSE for other specifications.