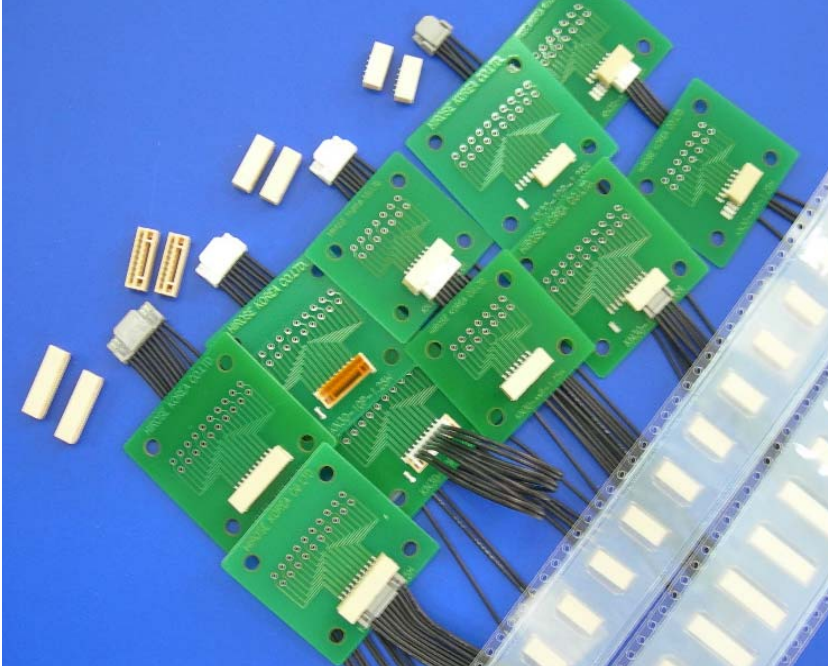


KN30 - SERIES

1.25mm , 1.5mmPITCH, Board To Wire CONNECTOR



■ **Features**

1. Housing Lock Type

The Lock shape set up both Housing and Pin Header.
so Housing Lock assures powerful Lock.

2. High contact reliability

3 Contact Point assures highly reliable electrical and mechanical connection
at Pin Header Contact and Crimp Contact.

3. Low profile

This series has a low profile of 4.35mm, when mating.

Right angle Type : 4.35mm (Stacking height mating with a Housing.)

Straight Type : 7.5mm (Stacking height mating with a Housing.)

4. Easy to insertion and withdrawal by using the Lever.

Crimp Socket has a Lever,

it's so easy to insert and withdraw because use the Lever.

■ **Applications.**

Inner connection as Board To Wire Connector FOR Electronic Equipment -LCD, PDP etc. for DISPLAY,
note PC etc. mini Electronic Equipment.

■ Specifications

Rating	Current 1A AC, DC	Operating temperature range	Storage temperature range
	Voltage 100V AC	- 25 °C ~ + 85 °C	- 10 °C ~ + 60 °C

Item	Specification	Condition
1. Insulation Resistance	500MΩ Min	Measured at 100V DC
2. Withstand voltage	Neither shot or insulation breakdown	300V AC for 1 minute
3. Contact Resistance	40mΩ Max	Measured at 100mA
4. Mechanical operation	Contact Resistance : 50mΩ Max	50 Time insertions and extractions.
5. Moisture Resistance	Temperature : 60±2°C	Contact Resistance : 50mΩ Max Insulation Resistance : 500MΩ Min
	Relative Humidity : 90~95%	
	Duration : 96Hr	
6. Resistance to Soldering heat	Reflow : 183°C MIN. 90~120s, 250±5°C 30±5s	No deformation of components affecting performance.

■ Plating specifications and row materials by parts

Part	Material	Finish	Remarks
CASE	POLYAMIDE	NATURAL(Beige)	UL94V-0
Contact	PHOSPHOR COPPER	Tin plating over Ni	-
Metal Fitting	PHOSPHOR COPPER	Tin plating over Ni	-
Socket	PBT	WHITE or GRAY	UL94V-0
Crimping Contact for Socket	PHOSPHOR COPPER	Tin plating	-

※ Since Satisfy with Reflow Temperature MAX 250°C, Fit for use at Lead-free Soldering.

※ RoHS Compliant Suitable.

■ Formation of part number.

● Connector **KN30** # - ** **P** - **1.25** **H**

① ② ③ ④ ⑤ ⑥

①	Serial Name	KN30
②	Blank	Pitch : 1.25 mm
	A	Pitch : 1.5 mm
	C	Pitch : 3 mm
③	Number of Contact	4, 5, 6, 7, 8, 10, 12 PIN
④	Contact Division	P : Plug S : SOCKET
⑤	Contact Pitch	1.25mm , 1.5mm, 3mm
⑥	Contact type	H(SMT : horizontal mount type)
		V(SMT : vertical mount type)
		C(Crimping socket)

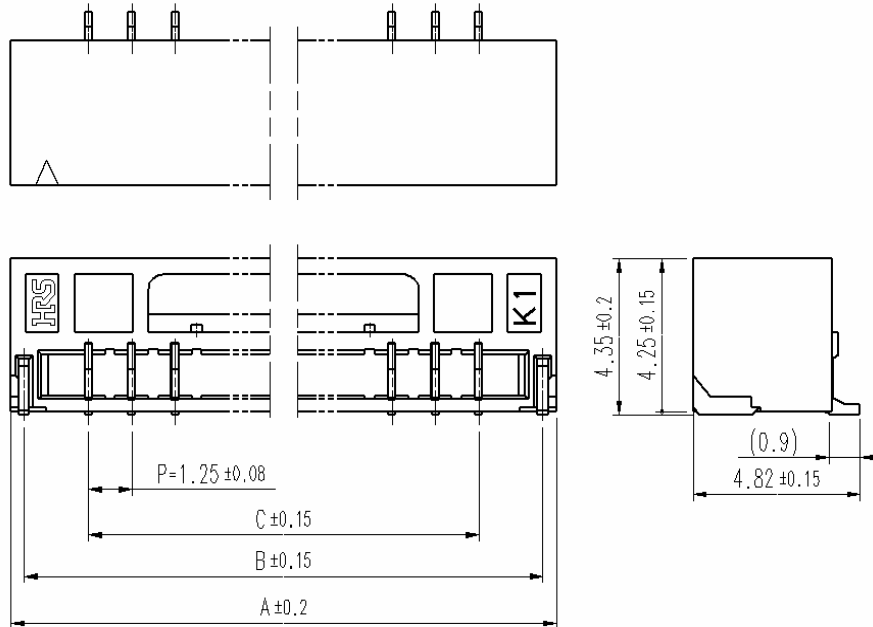
● Contact **KN30** - **2630** **SCF**

① ②

①	Applicable cable size	2630 : AWG 26~28
②	Packing Type	SCF : Socket contact/reel

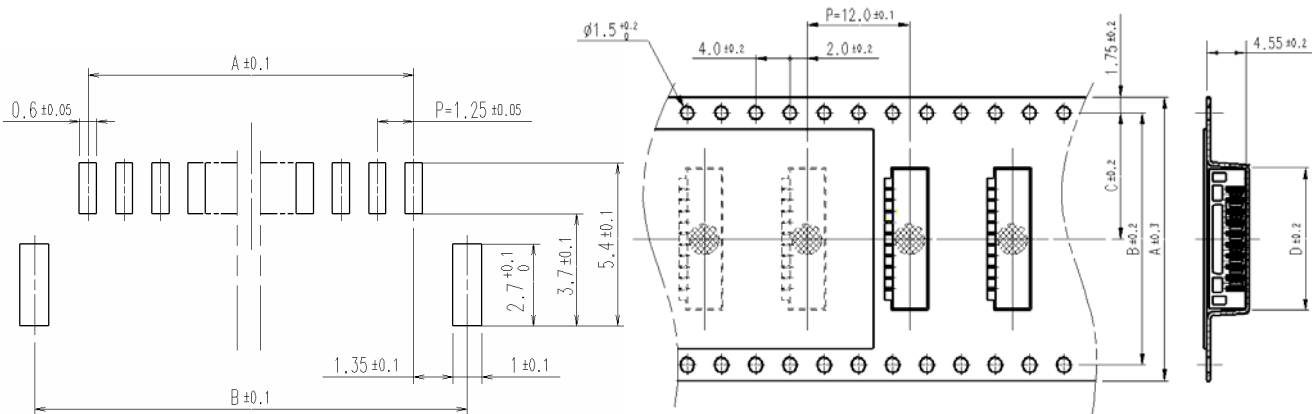
■ KN30-SERIES (Pitch=1.25mm)

● Horizontal Type Receptacle



PRODUCT NAME	NO. of PIN	A	B	C
KN30-4P-1.25H	4P	8.25	7.45	3.75
KN30-5P-1.25H	5P	9.5	8.7	5
KN30-7P-1.25H	7P	12	11.2	7.5
KN30-10P-1.25H	10P	15.75	14.95	11.25

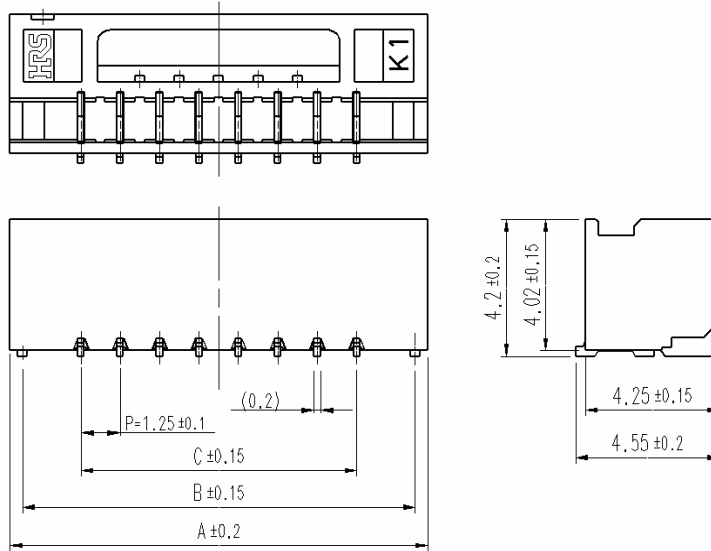
● PCB Layout & Taping Dimensions



	A	B
4P	3.75	7.45
5P	5	8.7
7P	7.5	11.2
10P	11.25	14.95

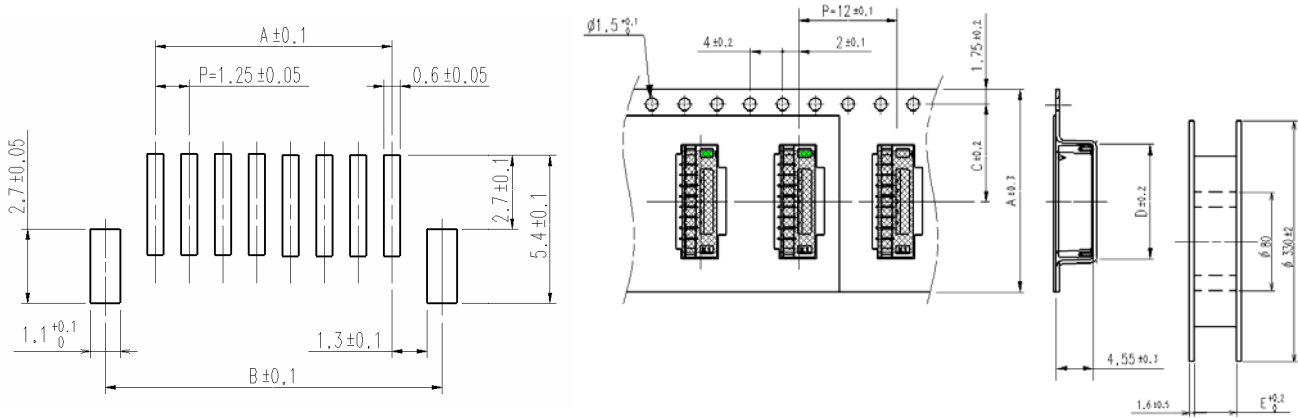
	A	C	D	E
4P	24	11.5	8.6	24.5
5P	24	11.5	9.79	24.5
7P	24	11.5	12.3	24.5
10P	32	14.25	16	32.5

● Vertical Type Receptacle



PRODUCT NAME	NO. of PIN	A	B	C
KN30-8P-1.25V	8P	13.25	12.45	8.75

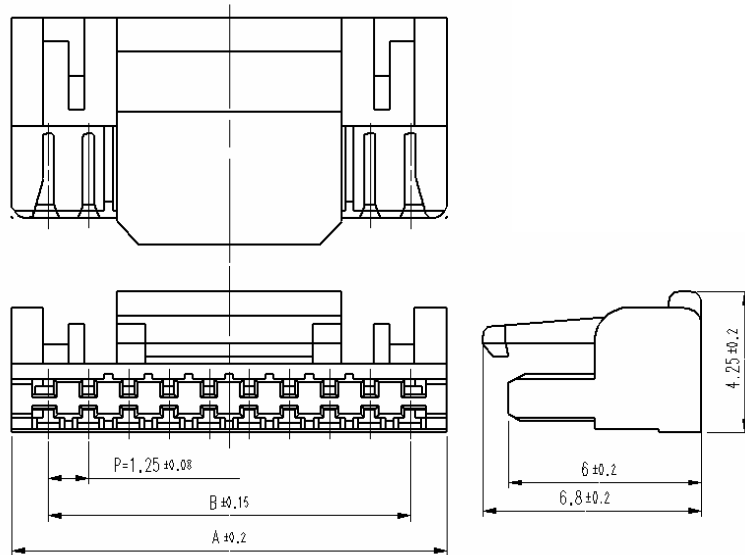
● PCB Layout & Taping Dimensions



	A	B
8P	8.75	12.45

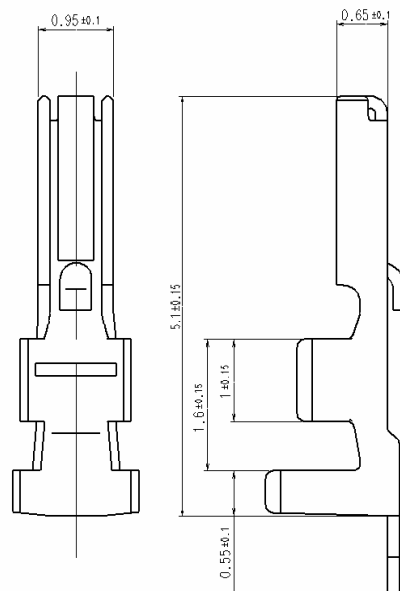
	A	C	D	E
8P	24	11.5	13.55	24.5

● Crimping Socket



PRODUCT NAME	NO. of PIN	A	B
KN30-4S-1.25C	4S	6.05	3.75
KN30-5S-1.25C	5S	7.3	5
KN30-7S-1.25C	7S	9.8	7.5
KN30-8S-1.25C	8S	11.05	8.75
KN30-10S-1.25C	10S	13.56	11.25

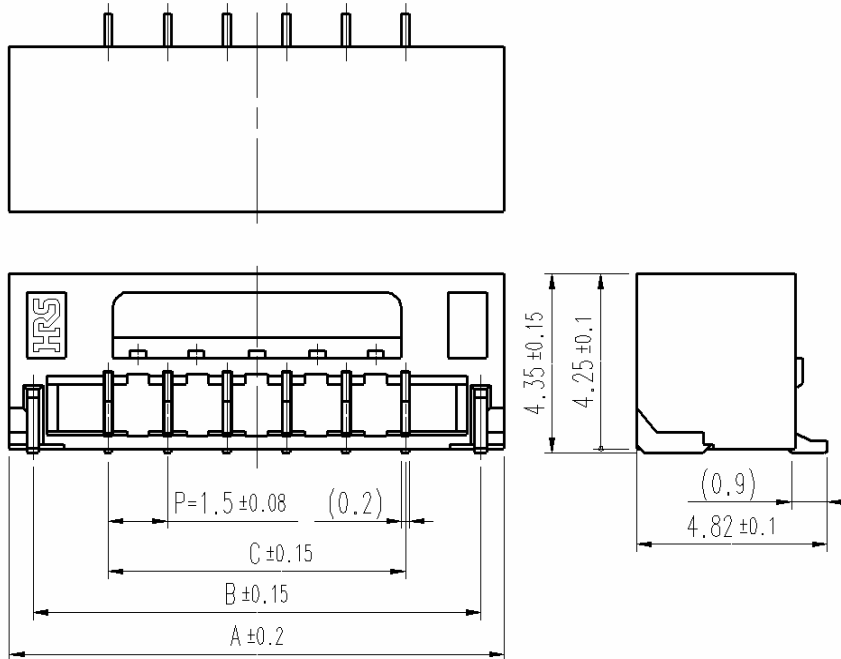
● Crimping Contact



PRODUCT NAME : KN30-2630SCF		
Applicable Cable	AWG26	Jacket Diameter : ϕ 0.8 ~ 1mm
	AWG28	
	AWG30	

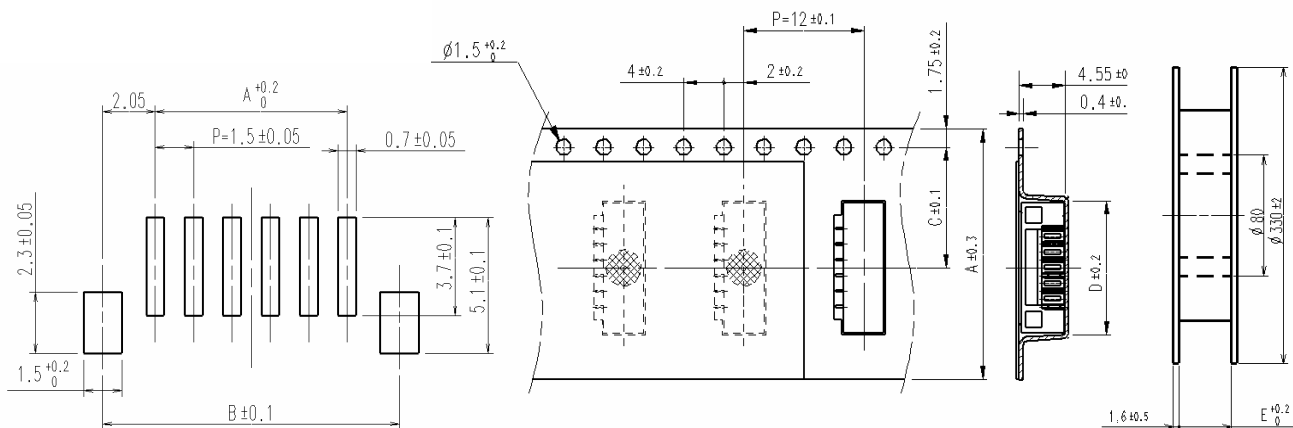
■ KN30A-SERIES (Pitch=1.5mm)

● Horizontal Type Receptacle



PRODUCT NAME	NO. of PIN	A	B	C
KN30A-6P-1.5H	6P	12.5	11.3	7.5
KN30A-8P-1.5H	8P	15.5	14.3	10.5

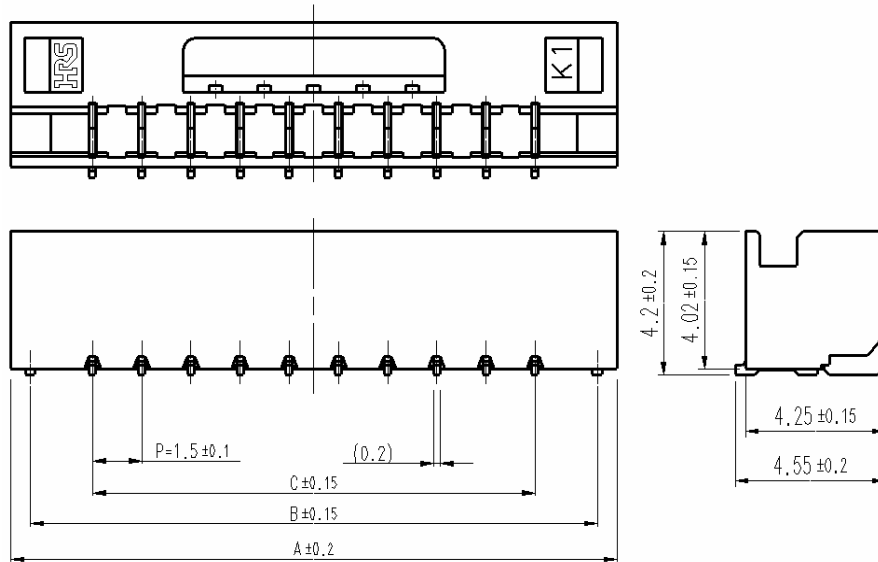
● PCB Layout & Taping Dimensions



	A	B
6P	7.5	11.6
8P	10.5	14.6

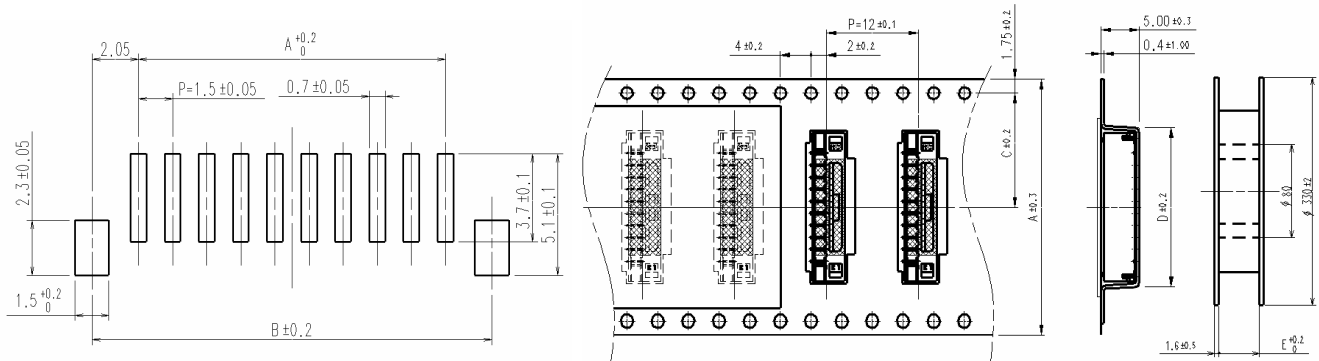
	A	C	D	E
6P	24	11.5	12.8	24.5
8P	24	11.5	15.8	24.5

● Vertical Type Receptacle



PRODUCT NAME	NO. of PIN	A	B	C
KN30A-10P-1.5V	10P	18.5	17.3	13.5
KN30A-12P-1.5V	12P	21.5	20.3	16.5

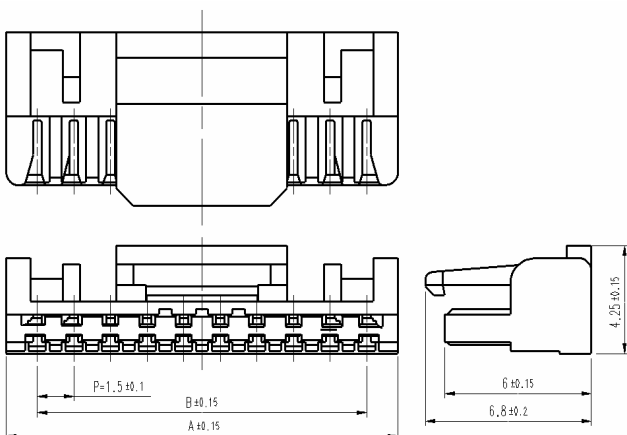
● PCB Layout & Taping Dimensions



	A	B
10P	13.5	17.6
12P	16.5	20.6

	A	C	D	E
10P	32	14.25	19.9	32.5
12P	32	14.25	22.9	32.5

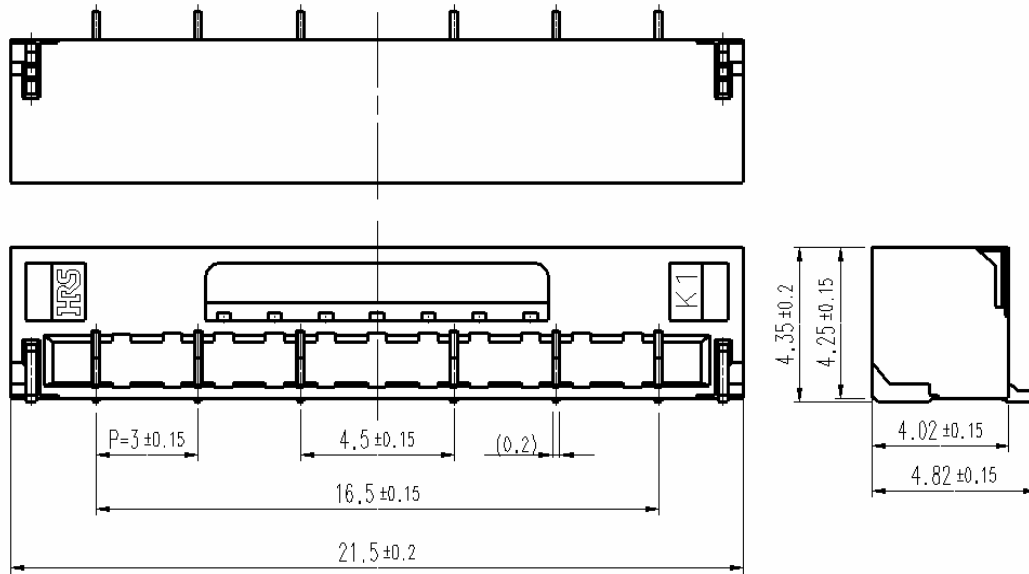
● Crimping Socket



PRODUCT NAME	NO. of PIN	A	B
KN30A-6S-1.5C	6S	10.05	7.5
KN30A-8S-1.5C	8S	13.05	10.5
KN30A-10S-1.5C	10S	16.05	13.5
KN30A-12S-1.5C	12S	19.05	16.5

■ KN30C-6P-3H (Pitch=3mm)

● Horizontal Type Receptacle



● PCB Layout & Taping Dimensions

