

# PCC1 Series

## 4.00 mm CENTERS SINGLE LINE CONNECTORS

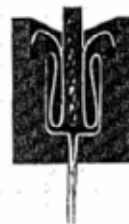
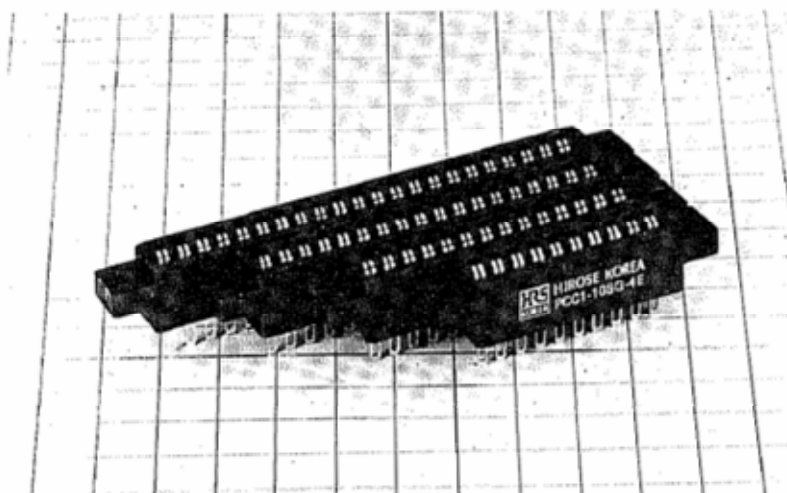
### General

PCC1 series are traditional 4.00mm centers single line connectors featuring bellows contacts of 8 contact points in 2 steps which offer excellent electrical and mechanical

characteristics. 10, 14, 18 and 22 pin are line-uped with error-free polarizing key.

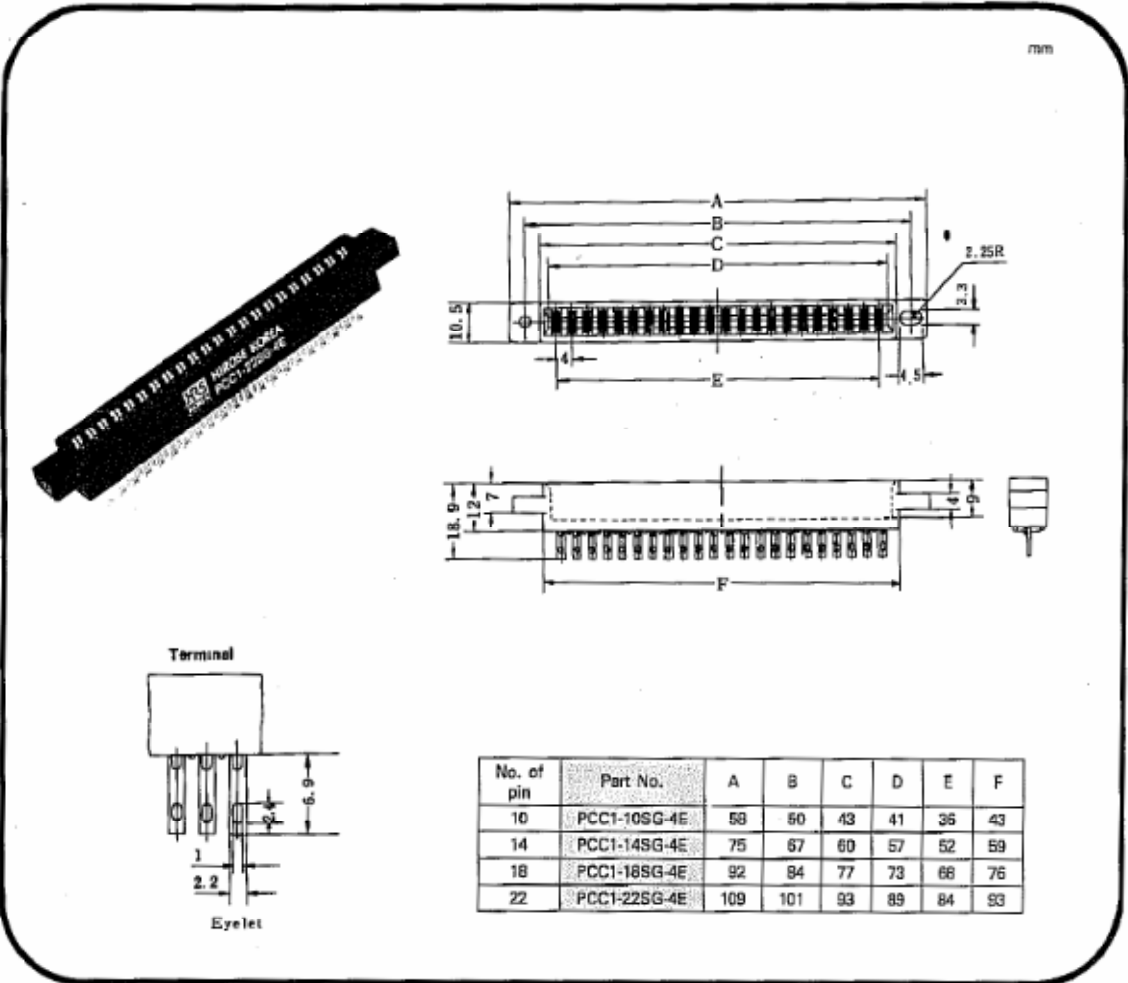
### Material and Finish

Molding : UL94V-O, Glass-reinforced Polycarbonate, Blue  
Contact : Phosphor Bronze, Whole gold Plating over nickel



### Electrical and Environmental Performance

Current Rating	: 5A
Voltage Rating	: AC600V, DC850V
Insulation Resistance	: 5000M $\Omega$ MIN at DC500V
Contact Resistance	: 10m $\Omega$ MAX at DC1A
Voltage Withstanding	: AC1800V MIN for a minute
Insertion and	
Extraction Force	: 57grs to 450grs/contact at 1.575 $\pm$ 0.002mm steel gauge
Humidity	: MIL-STD-202, Insulation Resistance 1000M $\Omega$ MIN at 40 $\pm$ 2 $^{\circ}$ C, 90–95%, and 96 hours
Vibration	: MIL-STD-202, No visual damage nor looseness of parts at 10–55Hz with 1.5mm amplitude
Shock	: MIL-STD-202, No visual damage nor looseness of parts at 50G in 3 directions
Temperature Cycling	: MIL-STD-202, No visual damage at –55 to +85 $^{\circ}$ C
Durability	: Contact Resistance 10m $\Omega$ MAX at DC1A after 500 times consecutive coupling operation
Salt Spray	: MIL-STD-202, No heavy corrosion at 5%, 35 $^{\circ}$ C Salt Water spray for 48 hours



**Mounting Cut Out**

