
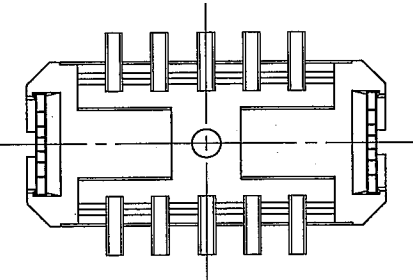
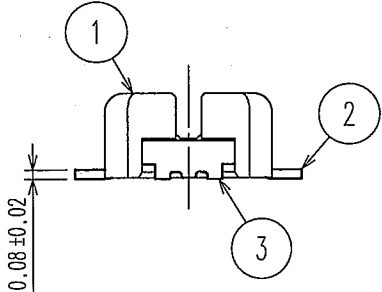
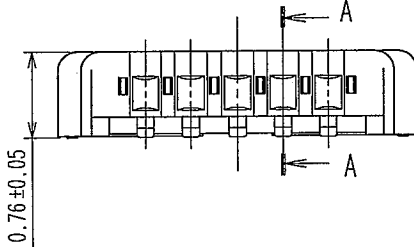
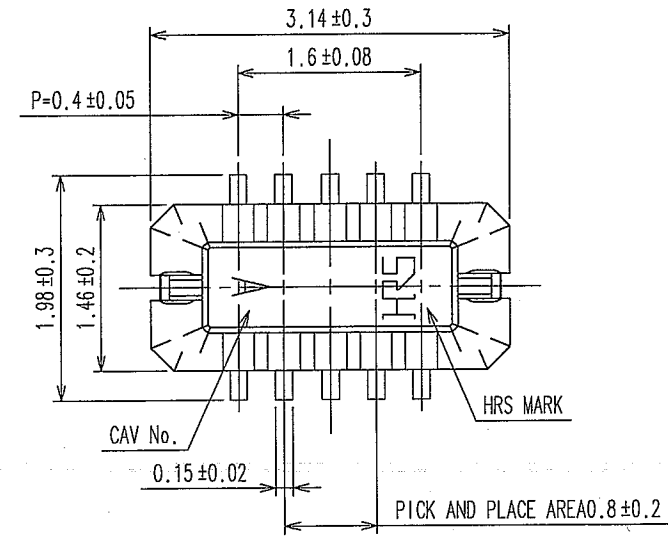
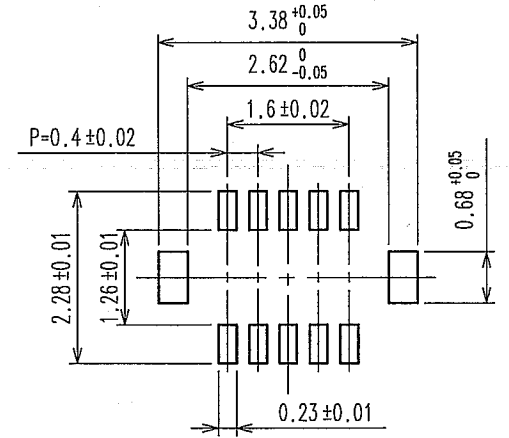


APPLICABLE STANDARD				
RATING	OPERATING TEMPERATURE RANGE	-35°C TO +85°C (NOTES 1)	STORAGE TEMPERATURE RANGE	-10°C TO +60°C
	VOLTAGE	30V AC	APPLICABLE CONNECTOR	DF37*-10DS-0. 4V (**)
	CURRENT	0. 3A		
SPECIFICATIONS				
ITEM	TEST METHOD	REQUIREMENTS	QT	AT
CONSTRUCTION				
GENERAL EXAMINATION	CONFIRMED VISUALLY AND BY MEASURING INSTRUMENT.	ACCORDING TO DRAWING.	X	X
MARKING	CONFIRMED VISUALLY.		X	X
ELECTRIC CHARACTERISTICS				
CONTACT RESISTANCE	20mV AC OR LESS 1kHz, 1mA .	100mΩ MAX.	X	-
INSULATION RESISTANCE	100V DC.	50MΩ MIN.	X	-
VOLTAGE PROOF	100V AC FOR 1 min.	NO FLASHOVER OR BREAKDOWN.	X	-
MECHANICAL CHARACTERISTICS				
INSERTION AND WITHDRAWAL FORCES	MEASURED BY APPLICABLE CONNECTOR.	INSERTION FORCE 15.4 N MAX.	X	-
		EXTRACTION FORCE 2.6 N MIN.	X	-
MECHANICAL OPERATION	10TIMES INSERTIONS AND EXTRACTIONS.	① CONTACT RESISTANCE: 100mΩ MAX. ② NO DAMAGE, CRACK OR LOOSENESS OF PARTS.	X	-
VIBRATION	FREQUENCY 10 TO 55 TO 10 Hz, APPROX 5min, SINGLE AMPLITUDE 0.75 mm, 10CYCLES, FOR 3 DIRECTIONS.	① NO ELECTRICAL DISCONTINUITY OF 1 μs. ② NO DAMAGE, CRACK OR LOOSENESS OF PARTS.	X	-
SHOCK	490 m/s ² DURATION OF PULSE 11 ms AT 3 TIMES FOR 3 DIRECTIONS.	① NO ELECTRICAL DISCONTINUITY OF 1 μs. ② NO DAMAGE, CRACK OR LOOSENESS OF PARTS.	X	-
ENVIRONMENTAL CHARACTERISTICS				
RAPID CHANGE OF TEMPERATURE	TEMPERATURE -55 → +85 °C TIME 30 → 30 min UNDER 5 CYCLES. (RELOCATION TIME TO CHAMBER : WITHIN 2~3 MIN)	① CONTACT RESISTANCE: 100mΩ MAX. ② INSULATION RESISTANCE: 50MΩ MIN. ③ NO DAMAGE, CRACK OR LOOSENESS OF PARTS.	X	-
DAMP HEAT (STEADY STATE)	EXPOSED AT 40 ± 2 °C, 90 TO 95 %, 96 h.	① CONTACT RESISTANCE: 100mΩ MAX. ② INSULATION RESISTANCE: 25MΩ MIN. ③ NO DAMAGE, CRACK OR LOOSENESS OF PARTS.	X	-
SULPHUR DIOXIDE	EXPOSED IN 25 PPM FOR 96h, 25°C, 75%. (REFER TO JIS C 60068)	① CONTACT RESISTANCE: 100mΩ MAX. ② NO DAMAGE, CRACK OR LOOSENESS OF PARTS.	X	-
SALT MIST	EXPOSED IN 5% SALT MIST FOR 48h.	① CONTACT RESISTANCE: 100mΩ MAX. ② NO DAMAGE, CRACK OR LOOSENESS OF PARTS.	X	-
		DRAWING FOR REFERENCE This is subject to change without notice		
COUNT	DESCRIPTION OF REVISIONS	DESIGNED	CHECKED	DATE
△				
REMARKS		APPROVED	MO. NAKAMURA	07. 07. 05
NOTE1: INCLUDE THE TEMPERATURE RISING BY CURRENT		CHECKED	KH. IKEDA	07. 07. 05
		DESIGNED	KY. MIDORIKAWA	07. 06. 29
Unless otherwise specified, refer to JIS C 5402 and IEC 60512		DRAWN	KY. MIDORIKAWA	07. 06. 29
Note QT:Qualification Test AT:Assurance Test X:Applicable Test		DRAWING NO.		ELC4-312311-06
HRS	SPECIFICATION SHEET	PART NO.	DF37B-10DP-0. 4V (75)	
	HIROSE ELECTRIC CO., LTD.	CODE NO.	CL684-3037-0-75	△ 1/1

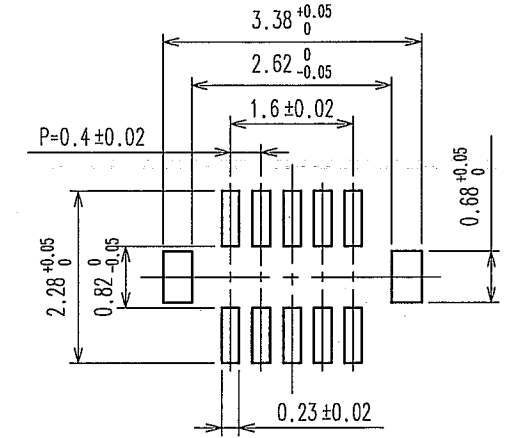
COUNT	DESCRIPTION OF REVISIONS	BY	CHKD	DATE	COUNT	DESCRIPTION OF REVISIONS	BY	CHKD	DATE
△				..	△				..
△				..	△				..
△				..	△				..



RECOMMENDED METAL MASK OPENING PATTERN

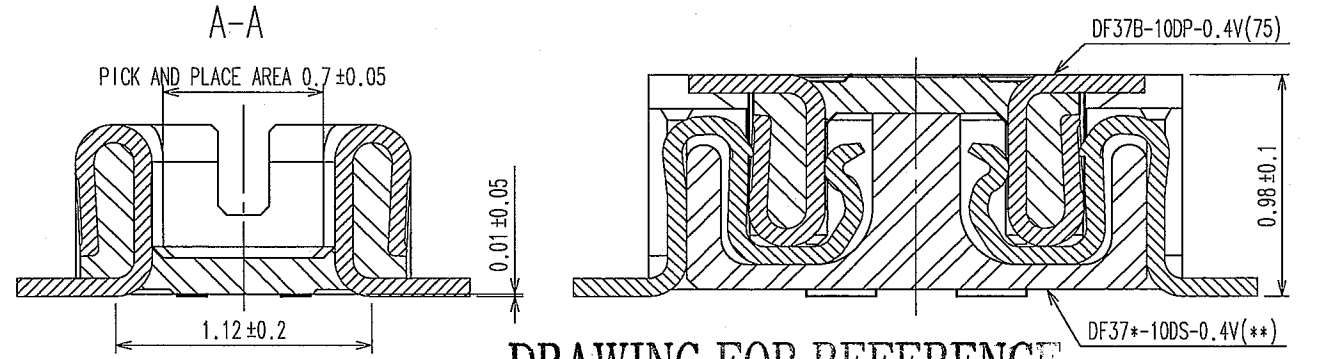


RECOMMENDED PATTERN



RECOMMENDED SOLDER PASTE: THICKNESS 120μ m

ENGAGEMENT FIGURE



DRAWING FOR REFERENCE
This is subject to change without notice

- NOTE 1. ALL LEADS CO-PLANARITY SHALL BE 0.1 MAX.
 2. PER REEL : 8000 CONNECTORS.
 3. AT THE BEGINNING OF THE REEL, 100 mm AT MIN SHALL BE EMPTY POCKETS.
 AT THE END OF THE REEL, 160 mm AT MIN SHALL BE EMPTY.
 4. CONTACT PLATING SPECIFICATIONS.
 CONTACT AREA : GOLD 0.1μ m MIN.
 SMT LEAD : GOLD 0.05μ m MIN.
 UNDERPLATING : NICKEL 1μ m MIN.
 (SURFACE : SEALING)
 5. METAL HOLD DOWN PLATING SPECIFICATIONS.
 MOUNTING AREA: GOLD 0.05μ m MIN.
 UNDERPLATING : NICKEL 1μ m MIN.
 6. PEEL FORCE OF COVER TAPE REFERS TO JIS C 0806.

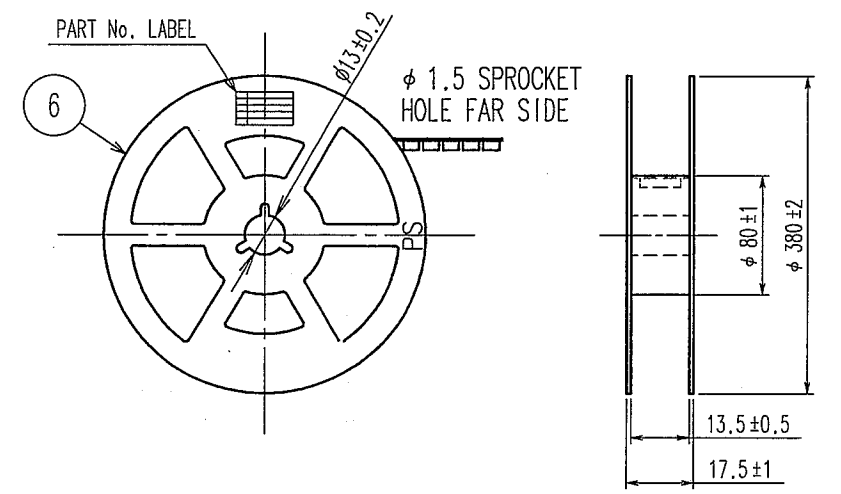
TO

3	PHOSPHOR BRONZE	5	6	PS	PLASTIC REEL (BLACK)	
2	PHOSPHOR BRONZE	4	5	POLYESTER	CLEAR (COVER TAPE)	
1	LCP	UL94V-0, BLACK	4	PS	CLEAR (EMBOSSED CARRIER TAPE)	
NO.	MATERIAL	FINISH, REMARKS	NO.	MATERIAL	FINISH, REMARKS	
CODE NO. (OLD)		DRAWN	DESIGNED	CHECKED	APPROVED	RELEASED
		<i>n.yamachiro</i>	<i>J. Ovi</i>	<i>K. Ikeda</i>	<i>K. Ikeda</i>	ENG 01.7.5 DEPT
		07.07.02	07.07.03	07.07.05	07.07.05	
DRAWING NO. EDC3-312311-06			PART NO. DF37B-10DP-0.4V(75)			
SCALE FREE			CODE NO. CL684-3037-0-75			
UNITS mm			1/2			
HRS HIROSE ELECTRIC CO., LTD						

COUNT	DESCRIPTION OF REVISIONS	BY	CHKD	DATE	COUNT	DESCRIPTION OF REVISIONS	BY	CHKD	DATE
△					△				
△					△				
△					△				

B-B

STYLE AND DIMENSION OF REEL (FREE SIZE)

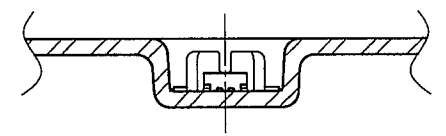
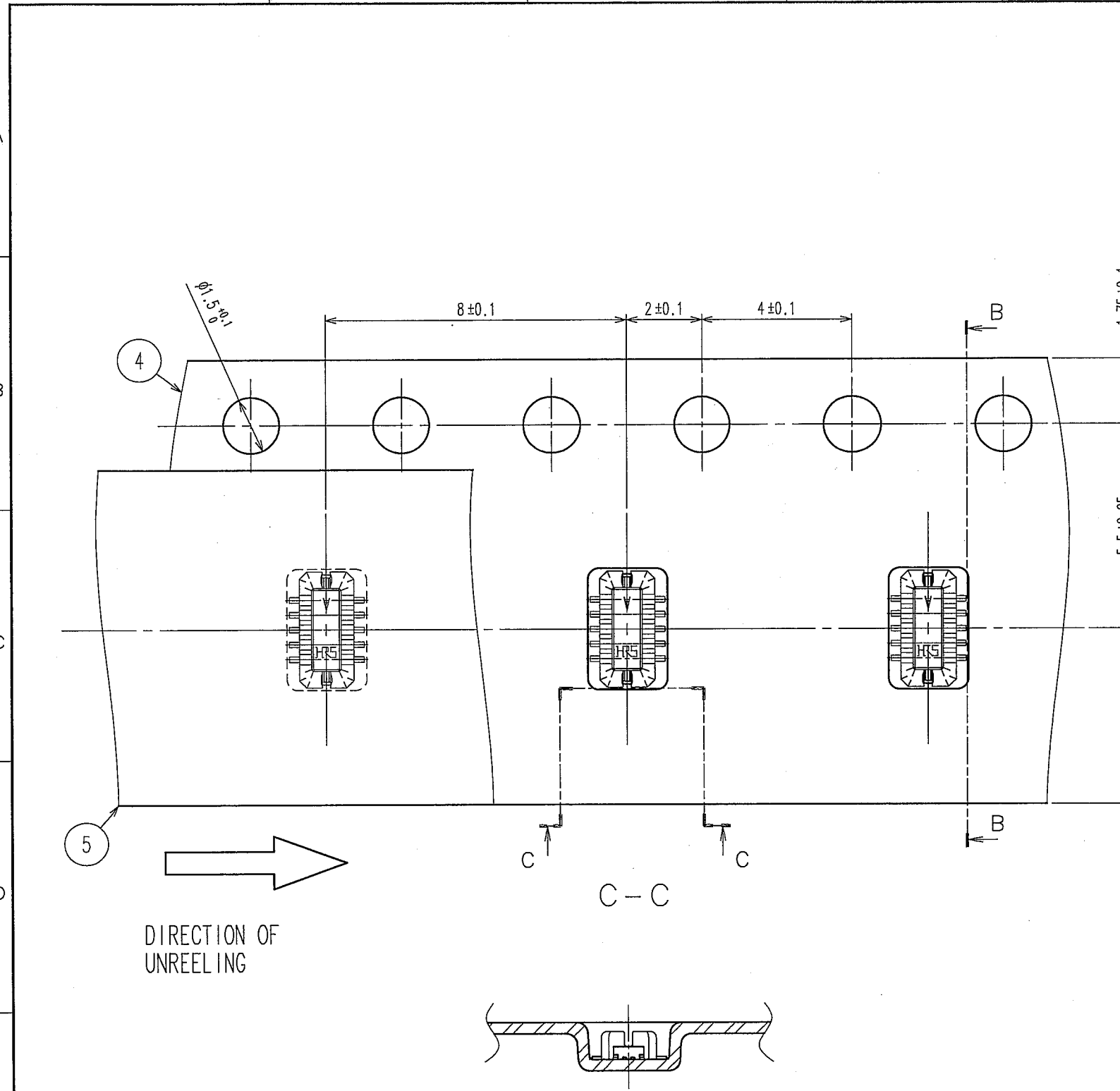


DETAIL OF PART NO. LABEL

—	SUPPLIER	
—	QUANTITY	
—	PART NO.	
—	CODE NO.	
—	DATE OF MANUFACTURED	
—	生産月日	年 月 日
—	函番	CL684-3037-0-75
—	品名	DF37B-10DP-0.4V(75)
—	納入数量	8000個
—	納入者	ヒロセ電機(株)

DRAWING FOR REFERENCE
This is subject to change without notice

CODE NO. (OLD)	DRAWN	DESIGNED	CHECKED	APPROVED	RELEASED
	<i>N. Yamashita</i>	<i>J. Oai</i>	<i>K. Ikeda</i>	<i>K. Ikeda</i>	ENG 07.7.5 DEPT
	'07.07.02	'07.07.03	'07.07.05	'07.07.05	
SCALE	DRAWING NO.		PART NO.		
FREE	EDC3-312311-06		DF37B-10DP-0.4V(75)		
UNITS	HRS HIROSE ELECTRIC CO., LTD		CODE NO.		
mm			CL684-3037-0-75		



TO